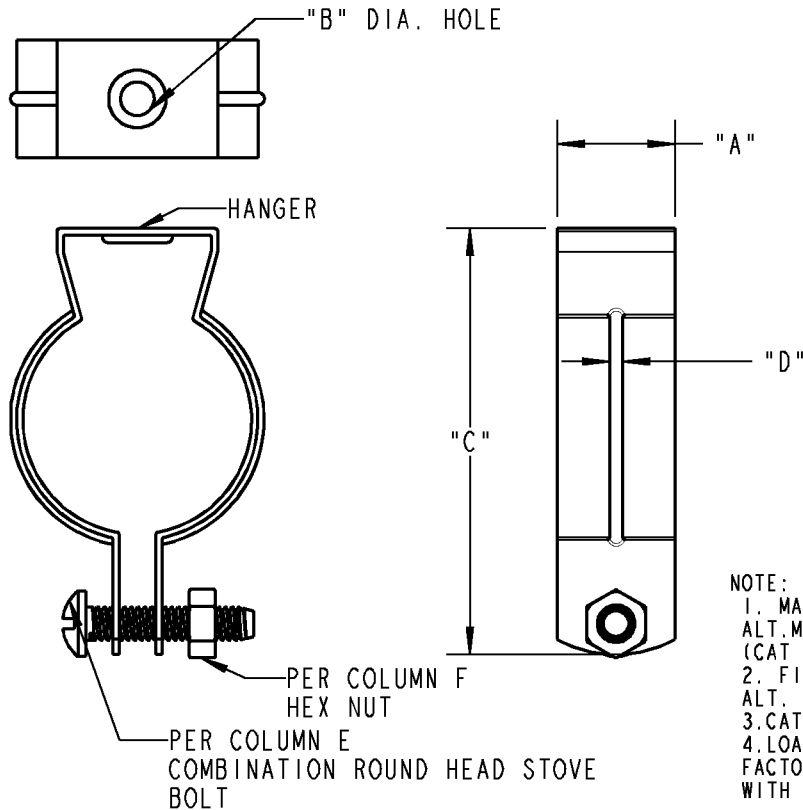




# Steel City



NOTE:  
 1. MATERIAL: STAINLESS STEEL  
 ALT. MATERIAL - MILD STEEL  
 (CAT NO. WITHOUT SUFFIX 'SS')  
 2. FINISH: AS ROLLED  
 ALT. FINISH: ZINC PLATED <0.00015" THK>  
 3. CAT NO WITHOUT 'B' LETTER MEANS NO BOLT.  
 4. LOAD RATING IS 500 LBS WITH A SAFETY  
 FACTOR OF 3 EXCEPT 6HITB, WHICH IS 400 LBS  
 WITH A SAFETY FACTOR OF 3

CAT NO	SIZE RIGID	SIZE EMT	A	B	C	D	E BOLT SIZE	F HEX NUT
6H0BSS	3/8-1/2	1/2	0.750	0.260	1.870	0.225	M6-1 X 1.181"	M6-1
6H0SS	3/8-1/2	1/2	0.750	0.260	1.870	0.225		
6H0TB	3/8-1/2	1/2	0.750	0.260	1.870	0.225	1/4"-20BSW X 1 1/4"	1/4"-20
6H1BSS	3/4	3/4	0.750	0.260	2.185	0.225	M6-1 X 1.181"	M6-1
6H1SS	3/4	3/4	0.750	0.260	2.185	0.225		
6H2BSS	1	1	0.875	0.260	2.520	0.225	M6-1 X 1.575"	M6-1
6H2SS	1	1	0.875	0.260	2.520	0.225		
6H212BSS	-	1-1/4	0.875	0.260	2.825	0.225	M6-1 X 1.575"	M6-1
6H3BSS	1-1/4	1-1/2	0.875	0.260	3.100	0.225	M6-1 X 1.575"	M6-1
6H4BSS	1-1/2	-	1.000	0.325	3.210	-	M6-1 X 1.575"	M6-1
6H5BSS	2	2	1.000	0.325	4.065	-	M6-1 X 1.575"	M6-1
6H6BSS	2-1/2	2-1/2	1.250	0.325	4.770	-	M6-1 X 1.575"	M6-1
6H7BSS	3	3	1.250	0.325	5.340	-	M6-1 X 1.575"	M6-1
6H8BSS	3-1/2	3-1/2	1.250	0.325	5.950	-	M6-1 X 1.575"	M6-1
6H9BSS	4	4	1.250	0.325	6.355	-	M6-1 X 1.969"	M6-1
6HITB	3/4	3/4	0.750	0.260	2.185	0.225	1/4"-20BSW X 1 1/4"	1/4"-20

### GENERAL NOTES

- ALL DIMENSIONS ARE FOR REFERENCE ONLY.
- DIMENSIONS IN BRACKETS [ ] ARE IN METRIC UNITS.

### REVISIONS

- |   |  |
|---|--|
| 2 | SEE ERN ( 2015491 ) FOR APPROVAL SIGNATURES & RELEASE DATE. PROJECT NO: 015V000377 |
|---|--|

**Thomas & Betts**  
 A Member of the ABB Group

DESCRIPTION: **HANGER FOR RIGID CONDUIT EMT WITH CLAMP SCREW**

ORIGINAL PROJECT NO / ( ERN NO )	SHEET NO:	REV. NO:	DRAWING NO:
015V000377 / ( 2014410 )	1 OF 1	2	WSD-001108